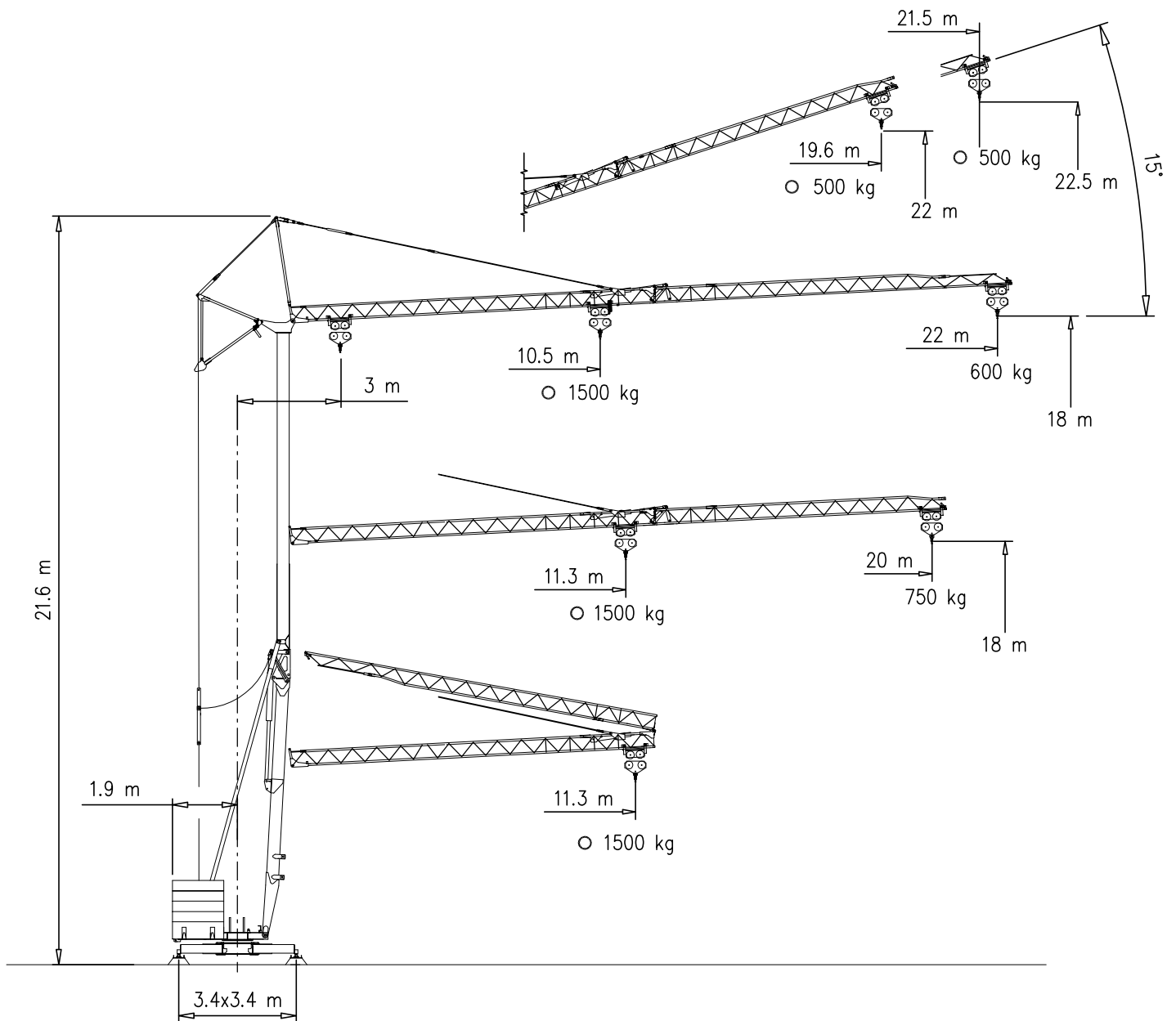




# AFM Gru

# 622 RBI



○ MONOTRIPHASE    ⚡ 230/400 V

GRU A MONTAGGIO RAPIDO  
 GRUE A MONTAGE RAPIDE  
 GRUA DE RAPIDO MONTAJE  
 GRUA DE MONTAGEM RAPIDA  
 QUICK SELFRECTING CRANE  
 HYDRAULISCHER SCHNELLMONTAGEKRAN

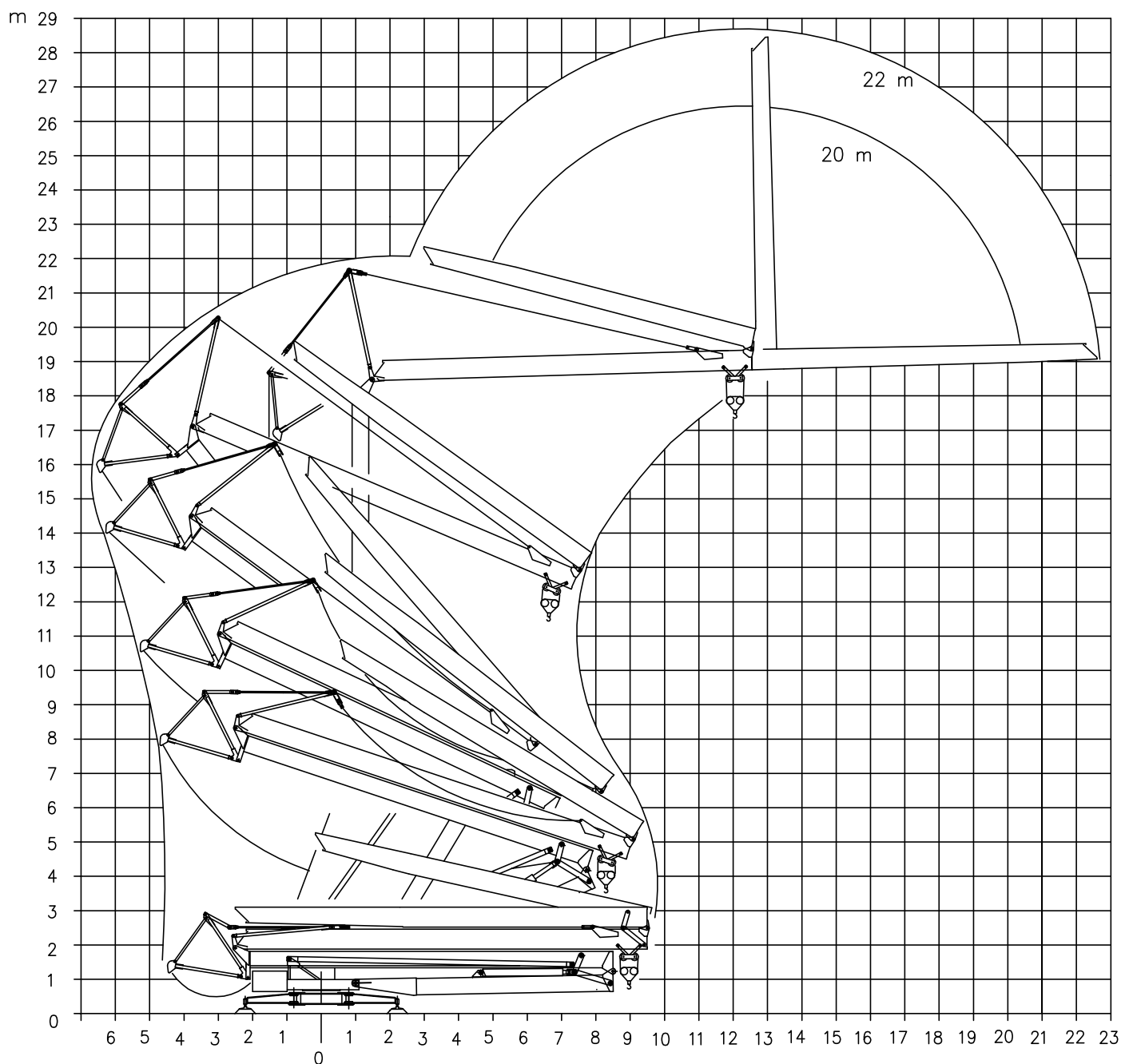
**CE** DIN H1 - B3



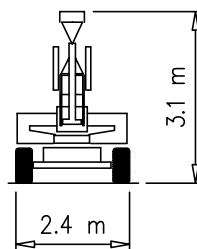
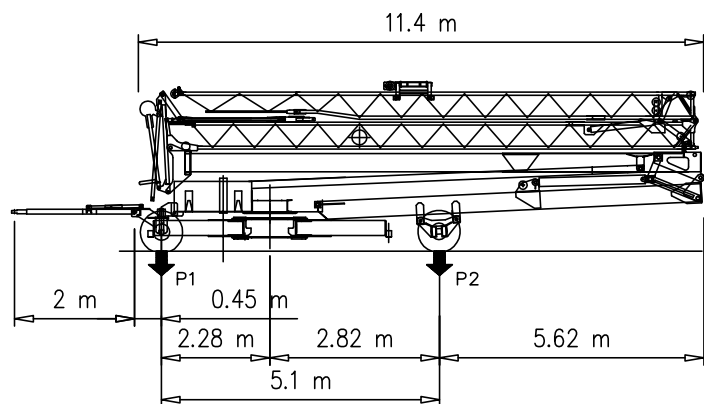
# AFM Gru

# 622 RBI

Montaggio – Montage – Erection – Montage – Montaje – Montagem



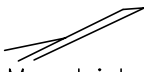
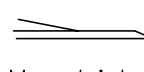

Trasporto – Transport – Transport – Transport – Transporte



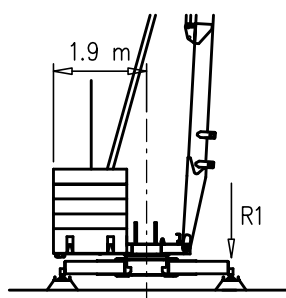
P1	kg	4100
P2	kg	7200
Ptot	kg	11300

**AFM Gru****622 RBI**

Curve di carico – Courbes de charges – Load diagrams – LastKurven – Curvas de cargas

 Monotriphase	☒ 400 V	3	21.5	m						
	☒ 230/400V	500	500	kg						
 Monotriphase	☒ 400 V	3	10.5	12	14	16	18	20	22	m
		1500	1500	1270	1050	890	770	670	600	kg
	☒ 230/400V	3	11.3	12	14	16	18	20	m	
		1500	1500	1400	1160	980	850	750	kg	
 Monotriphase	☒ 400 V	3	11.3	m						
	☒ 230/400V	1500	1500	kg						

Reazioni – Reactions – Réactions – Eckdrücke – Reacciones – Reacções



R1 ● 10.5 t ■ 6.9 t

▲ 6.8 t ○ 10.6 t

● Reazioni in servizio

■ Reazioni fuori servizio

▲ Peso della gru senza assali

○ Peso zavorra rotante

● Reactions in service

■ Reactions out of service

▲ Dead weight without transport axles

○ Ballast weight

● Réactions en service

■ Réactions hors service

▲ Poids de construction sans essieux

○ Poids du lest

● Reaktionskräfte in betrieb

■ Reaktionskräfte außer betrieb

▲ Konstruktionsgewicht ohne transportachse

○ Ballastgewicht

● Reacciones en servicio

■ Reacciones fuera de servicio

▲ Peso de la grua sin tren de transporte

○ Peso de lastre

● Em serviço

■ Fora de serviço

▲ Peso de grua sem carro de transporte

○ Peso de lastre rotativo

**AFM Gru****622 RBI**

Meccanismi – Mechanisms – Mécanismes – Antriebe – Mecanismos – Montagem

V5,5.32 230 Volt Sollevamento Hoisting Levage Heben Elevaciòn Elevaçao							V5,5.32 4 kW (5.5 kW) 2–8 kVA 
	m/min	4	11	25			
	t	1.5	1.5	0.75			

V5,5.32 400 Volt Sollevamento Hoisting Levage Heben Elevaciòn Elevaçao							V5,5.32 4 kW (5.5 kW) 8 kVA 
	m/min	4	11	30			
	t	1.5	1.5	0.75			

Carrello Trolleying Distribution Katzfahren Distribuciòn Distribuiçao		1a	0 → 30	m/min	1.85 kW (2.5 Hp)
		2a			
Rotazione Slewing Orientation Schwenken Orientaciòn Rotaçao		1a	0 → 0.8	giri/min tr/min rp/min	1.1 kW (1.5 Hp)
		2a			
		3a			

Rete elettrica – Réseau – Mains supply – Netzstrom – Red – Rede electrica 230/400V – 50 Hz

Potenza elettrica necessaria – Puissance électrique nécessaire  
Necessary electric power – Anschlusswert – Potencia electrica necesaria 1/3PH 2–8 kVA

**AFM Gru** FMgru s.r.l.  
via Emilia 11–29010 Pontenure PC ITALY  
tel. 0523/510446 ric.aut. fax 0523/510365  
www.fmgru.it e-mail: info@fmgru.com

DIN 15018  
2000/14/CEDocumento commerciale non contrattuale  
Per tutte le informazioni tecniche riferirsi  
alle corrispondenti istruzioniUnverbindliches Vertriebsdokument.  
Für technische Informationen, siehe die  
entsprechenden Anweisungen.This commercial document is not legally  
binding. For any technical information, please  
refer to the corresponding instructions.Documento comercial no contractual  
Para cualquier información técnica,  
ver la noticia correspondiente.

Code: 15ICA37B20A0		
Ed.	Data	Rev Data
1	05.06.03	1 17.03.10