

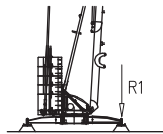
**GRU A MONTAGGIO RAPIDO**  
**GRUE A MONTAGE RAPIDE**  
**GRUA DE RAPIDO MONTAJE**  
**GRUA DE MONTAGEM RAPIDA**  
**QUICK SELF-ERECTING CRANE**  
**HYDRAULISCHER SCHNELLMONTAGEKRAN**

**CE** FEM 1.001 – A3

Curve di carico | Courbes de charges | Load diagrams | LastKurven | Curvas de cargas

	<table border="1"> <tr> <td>3</td> <td>19</td> <td>21</td> <td rowspan="2">m</td> </tr> <tr> <td>1800</td> <td>850</td> <td>700</td> <td>kg</td> </tr> </table>	3	19	21	m	1800	850	700	kg						
3	19	21	m												
1800	850	700		kg											
	<table border="1"> <tr> <td>3</td> <td>22</td> <td>23,8</td> <td rowspan="2">m</td> </tr> <tr> <td>600</td> <td>600</td> <td>600</td> <td>kg</td> </tr> </table>	3	22	23,8	m	600	600	600	kg						
3	22	23,8	m												
600	600	600		kg											
	<table border="1"> <tr> <td>3</td> <td>11,2</td> <td>12</td> <td>16</td> <td>20</td> <td>24</td> <td rowspan="2">m</td> </tr> <tr> <td>1800</td> <td>1800</td> <td>1650</td> <td>1155</td> <td>875</td> <td>700</td> <td>kg</td> </tr> </table>	3	11,2	12	16	20	24	m	1800	1800	1650	1155	875	700	kg
3	11,2	12	16	20	24	m									
1800	1800	1650	1155	875	700		kg								
	<table border="1"> <tr> <td>3</td> <td>12,5</td> <td rowspan="2">m</td> </tr> <tr> <td>1800</td> <td>1800</td> <td>kg</td> </tr> </table>	3	12,5	m	1800	1800	kg								
3	12,5	m													
1800	1800		kg												

Reazioni | Reactions | Réactions | Eckdrücke | Reacciones | Reações

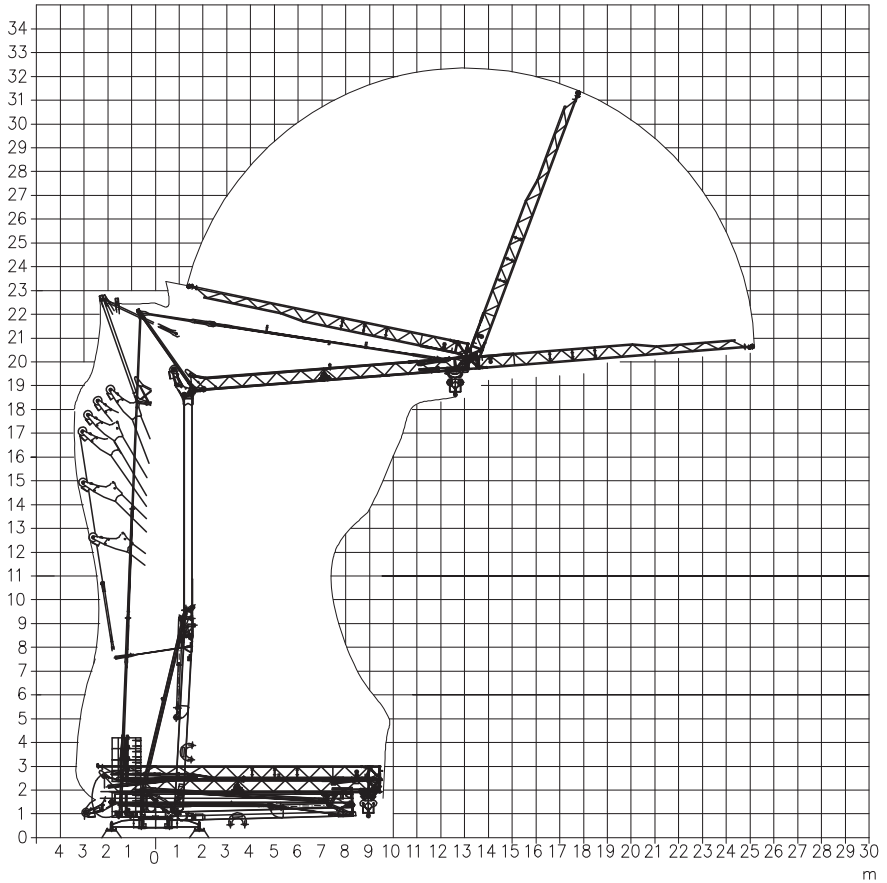


R1 ● 12 t ■ 10 t

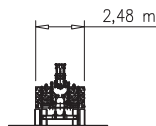
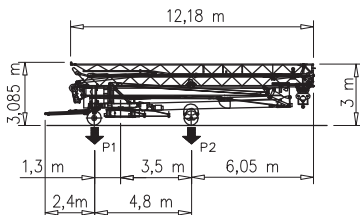
▲ 7,4 t ○ 11,9 t

- Reazioni in servizio | Reactions in service | Réactions en service | Reaktionskräfte in betrieb  
Reacciones en servicio | Em serviço
- Reazioni fuori servizio | Reactions out of service | Réactions hors service | Reaktionskräfte außer betrieb  
Reacciones fuera de servicio | Fora de serviço
- ▲ Peso della gru senza assali | Dead weight without transport axles | Poids de construction sans eissieux | Kontruktionsgewicht ohne transportachse  
Peso de la grua sin tren de transporte | Peso de grua sem carro de transporte
- Peso zavorra rotante | Ballast weight | Poids du lest | Ballastgewicht  
Peso de lastre | Peso de lastre rotativo

Montaggio | Montage | Erection | Montage | Montaje | Montagem



Trasporto | Transport | Transport | Transport | Transporte



P1	Kg	7060
P2	Kg	6300
Ptot	Kg	13360

Meccanismi | Mechanisms | Mécanismes | Antriebe | Mecanismos

V7,5.30 230 Volt Sollevamento Hoisting Levage Heben Elevaçõ Elevaçõ					 	V7,5.30 5.5 kW (7.5 Hp) 2-11 kVA 
	m/min	4	11	25		
	t	1.8	1.8	0.7		
		4	16	30		
		1.8	1.8	0.7		

V7,5.30 400 Volt Sollevamento Hoisting Levage Heben Elevaçõ Elevaçõ					 	V7,5.30 5.5 kW (7.5 Hp) 11 kVA 
	m/min	4	11	30		
	t	1.8	1.8	0.7		
		4	16	30		
		1.8	1.8	0.7		

Carrello Trolleying Distribuciõ Katzfahren Distribuiçõ			2a	0 → 30	m/min	2.2 kW (Hp 3)
			1a			
Rotazione Slewing Orientaciõ Schwenken Rotaçõ			1a	0 → 0.8	giri/min tr/min rp/min	2.2 kW (Hp 3)
			2a			
			3a			

Rete elettrica | Réseau | Mains supply | Netzstrom | Red | Rede electrica

230/400 V - 50 Hz

Potenza elettrica necessaria | Puissance électrique nécessaire | Necessary electric power  
Anschlusswert | Potencia electrica necesaria

1/3PH 2-11 kVA